

Rotation Torque Sensor RTS-18

FEATURES

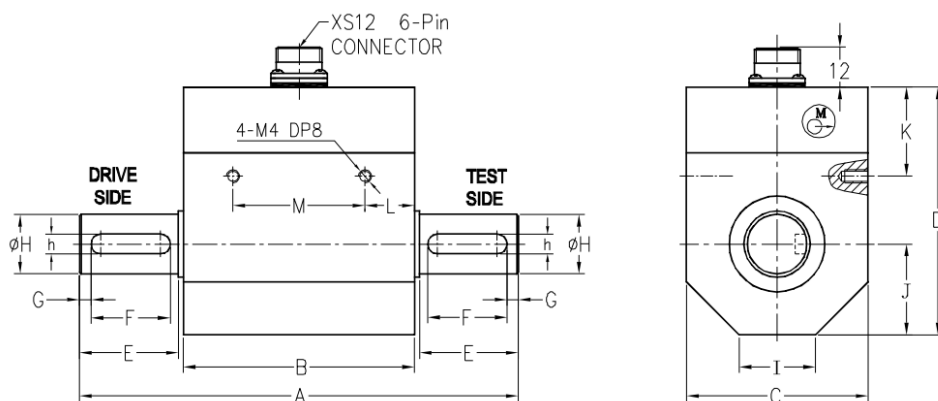
- Non-contact type and small size structure to prevent wear.
- High precision, stable and reliable performance.
- Both ends are connected by key-way
- Torque value can be measured in both positive and negative directions, also speed can be measured;
- The maximum speed of 8000RPM, suitable for long-term high speed rotation conditions



SPECIFICATION

Range	5, 10, 20, 30, 50, 100, 200, 300, 500, 1000Nm	Temp. Rated Range	0-50°C
Supply	12-30VDC	Temp. Operating Range	0-60°C
Accuracy	±0.1%F.S, ±0.2%F.S	Electrical Connection	XS12 6pin
Temp. Effect on Zero	±0.2%F.S/10°C	Safe Overload	200%
Temp. Effect on Range	±0.2%F.S/10°C	Shaft Material	Stainless steel
Torque Output	10±5KHZ 4-20mA, 0-±5VDC, 0-±10VDC, RS485, RS2	Housing	Aluminum

DIMENSION

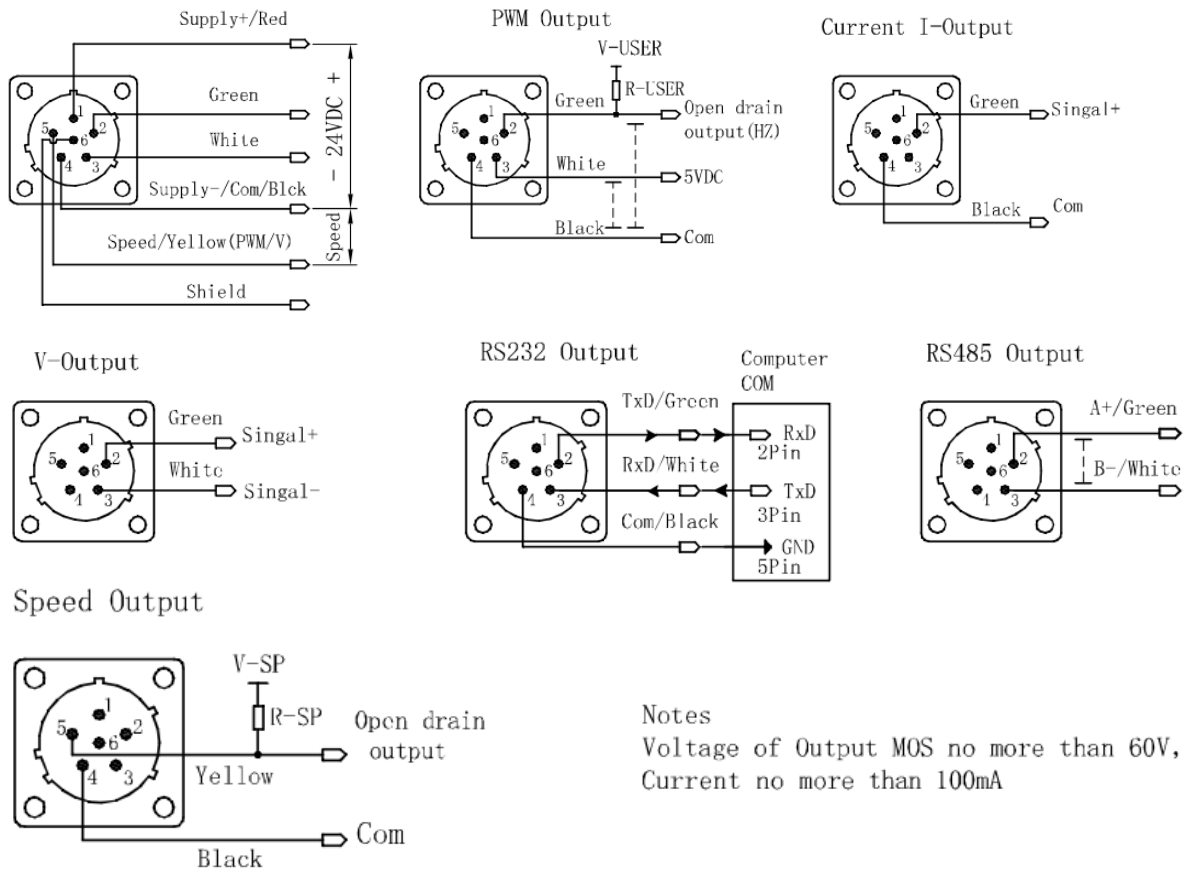


Range (N.m)	A	B	C	D	E	F	G	H	H	I	J	K	L	M
5, 10, 20, 30, 50, 100	133	70	55	75	30	24	3.5	18	6	23	27.5	27	15	40
200, 300, 500	144	70	65	85	35	30	3	28	8	29	32.5	28	12	46
1000	-	-	-	-	-	-	-	50	-	-	-	-	-	-

OPTIONS

Speed Measurement	Speed RPM	6000r/min, 8000r/min
	Speed Output	60 Pulse TTL, OD Output 4-20mA, 0-±5VDC, 0-±10VDC, RS485, RS232
Display	Integrated Screen Display	Value of Torque, Speed, Power
Cable	Standard Cable Length	5m (extra length required can be customized)

ELECTRICAL CONNECTION



Notes
Voltage of Output MOS no more than 60V,
Current no more than 100mA

6-Pin Electrical Connection

Pin	Color	Signal , Supply 12-24VDC(Output 10VDC with 18-30VDC)				
		10±5KHZ	4-20mA	0-±10VDC	RS485	RS232
1	Red	Supply+				
2	Green	Output OD	Signal+	Signal+	A+	TxD
3	White	5V DC		Signal-	B-	RxD
4	Black	Supply-/COM				
5	Yellow	Speed Output				
6		Shielded Wire				